

**PRODUCT TECHNICAL SHEET**

Collection : **DYNAMIC**

Ref. : **4527.11.43**

Mitigeur à poser

Opbouw ééngreepsmengkraan

Deck-mounted single-lever mixer

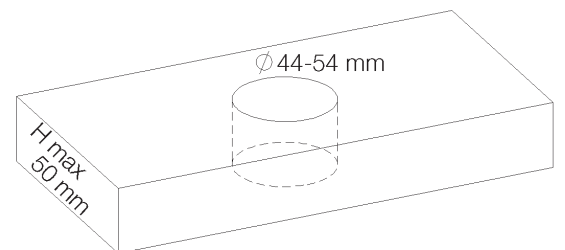
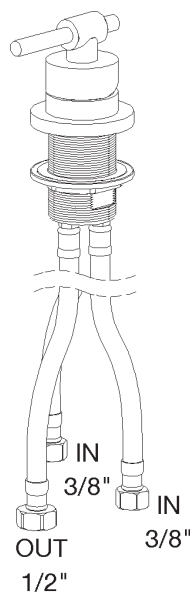
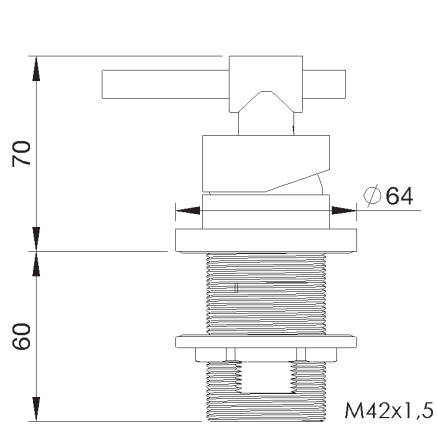
**Picture**

**Product details**



Internal mechanism : Mixer ceramic cartridge (90°)

**Technical drawing**



RA0.V01